



## ST-BC SERIES STAINLESS STEEL FILTER HOUSINGS

- Heavy duty units for large scale commercial/industrial applications
- Brushed 304 stainless steel construction with a gray-silver epoxy finish
- Ideal for high-temperature applications
- Accepts complete range of standard double open end (DOE) cartridges

ST-BC Series stainless steel filter housings offer a variety of solutions for your large-scale, heavy-duty filtration needs. Simple to install and maintain, these housings are ideal for schools, restaurants, farms, institutions and industrial use. Holding from 4 to 20 cartridges, ST-BC Series housings provide flow rates from 28 – 125 gpm (106-473 Lpm).

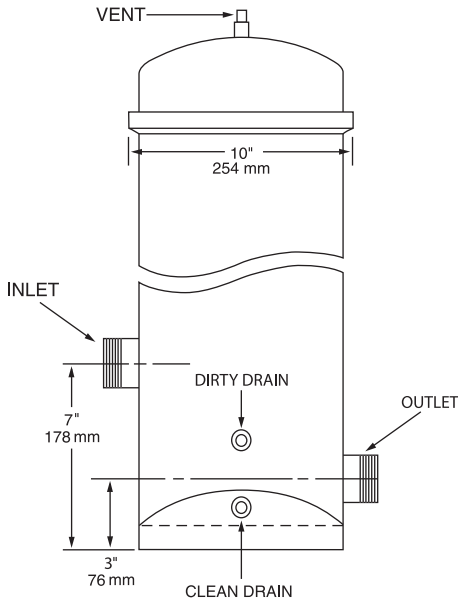
Housings are constructed of 304 stainless steel with a gray-silver epoxy finish. They include drains on both the “clean” and “dirty” sides of the sump.

ST-BC Series housings are compatible with a complete range of filter cartridges, adding to their versatility.



# ST-BC SERIES

## Stainless Steel Filter Housings



### Housing Specifications and Performance Data

Model	Recommended* Flow Rates	Dimensions Height x O.A. Dia.	Max. No.** Cartridges	Max. Cart. Diameter	Max. Cartridge Length	Pipe Size (NPT)
ST-BC-4	28 gpm (106 Lpm)	19 <sup>1</sup> / <sub>4</sub> " x 10" (489 mm x 254 mm)	4 x 1	3" (76 mm)	9 <sup>3</sup> / <sub>4</sub> " or 10" (248 mm or 254 mm)	2" (50.8 mm)
ST-BC-8	56 gpm (212 Lpm)	29" x 10" (737 mm x 254 mm)	4 x 2	3" (76 mm)	9 <sup>3</sup> / <sub>4</sub> " or 10" (248 mm or 254 mm)	2" (50.8 mm)
ST-BC-12	84 gpm (318 Lpm)	39 <sup>3</sup> / <sub>4</sub> " x 10" (1010 mm x 254 mm)	4 x 3	3" (76 mm)	9 <sup>3</sup> / <sub>4</sub> " or 10" (248 mm or 254 mm)	2" (50.8 mm)
ST-BC-16	110 gpm (416 Lpm)	49 <sup>3</sup> / <sub>4</sub> " x 10" (1264 mm x 254 mm)	4 x 4	3" (76 mm)	9 <sup>3</sup> / <sub>4</sub> " or 10" (248 mm or 254 mm)	2" (50.8 mm)
ST-BC-20	125 gpm (473 Lpm)	49 <sup>3</sup> / <sub>4</sub> " x 10" (1264 mm x 254 mm)	5 x 4	2 <sup>1</sup> / <sub>2</sub> " (64 mm)	9 <sup>3</sup> / <sub>4</sub> " or 10" (248 mm or 254 mm)	2" (50.8 mm)

- Will not accept GAC, CC, CGAC, TSGAC, WS, PCF or PCC Series Cartridges.

### Materials of Construction

Housing	Brushed 304 Stainless Steel
Finish	Epoxy
Maximum Temperature	300°F (149°C)
Maximum Pressure	125 psi (8.62 bar)
Pipe Size	2" NPT
Sealing Gasket	Buna-N

\* Based on sediment removal with a 25-micron filter cartridge and 1 PSIG initial clean pressure drop.

\*\* Number of cartridges refers to the number of 9<sup>3</sup>/<sub>4</sub>" (248 mm) or 10" (254 mm) cartridges which are configured around the housing times the number of cartridges that may be stacked. Example 4 x 2 means that 9<sup>3</sup>/<sub>4</sub>" (248 mm) cartridges are configured four around and two high.

NOTE: Maximum cartridge diameter 3" (76 mm).

WARNING: If pressure exceeds 125 psi (8.62 bar) at any time, a pressure regulator must be used. Do not use water that is microbiologically unsafe or of unknown quality without adequate disinfection before or after the system.

CAUTION: Protect against freezing to prevent cracking of the filter and water leakage.

NOTE: Not recommended for applications with TDS or chlorides >1000 ppm and/or pH <5.0. Use of this product in these conditions will void the limited warranty. Consult factory for product modifications for these conditions.

