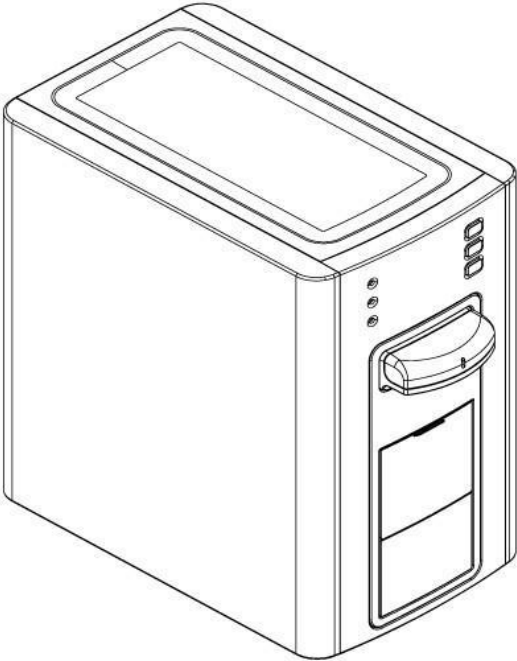

FilterWater.com

FW-PRO BOTTLELESS COOLER

OPERATION MANUAL



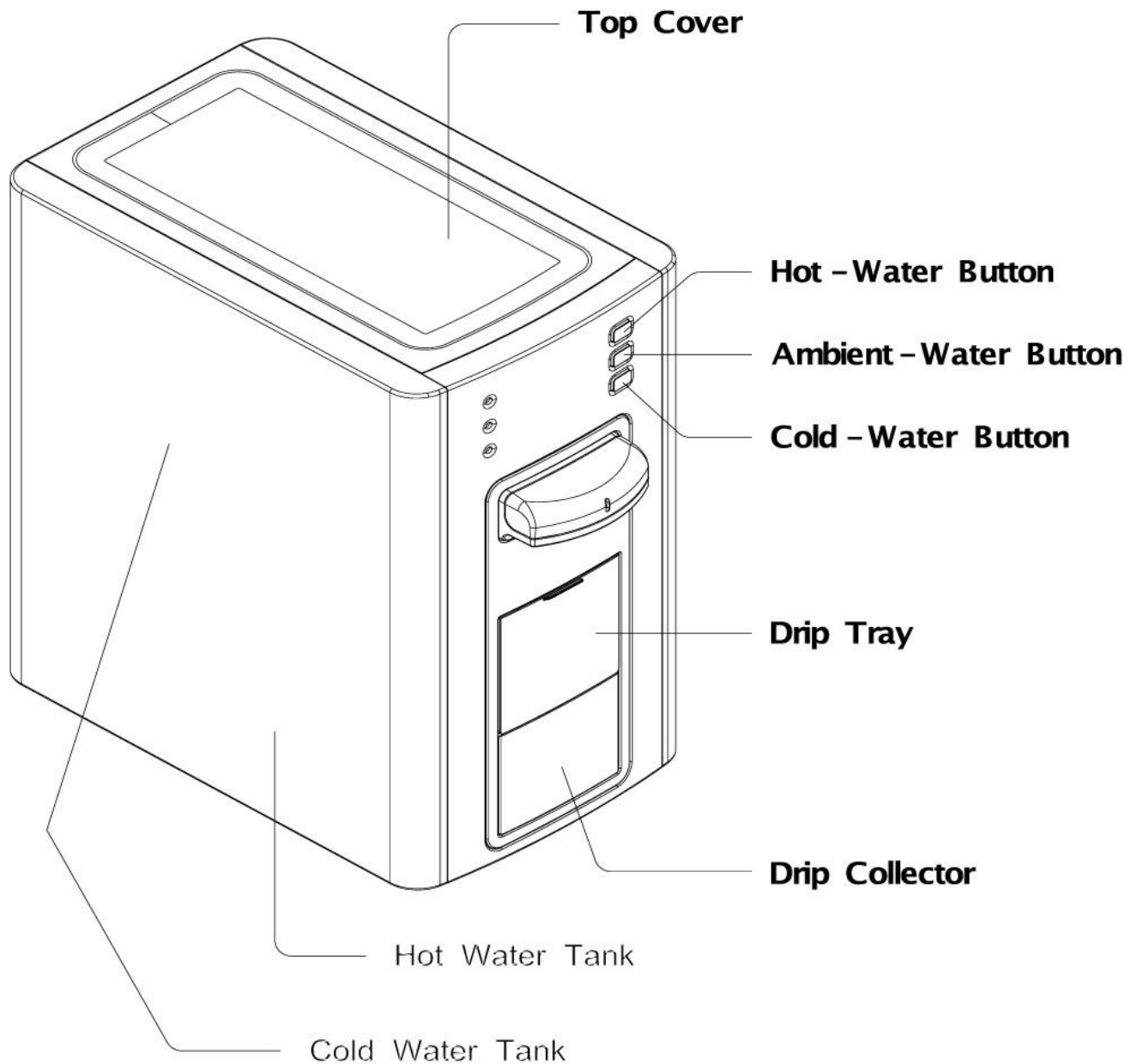
| CONTENTS | PAGE |
|-----------------------------------|-------------|
| Preface / Parts | 1 |
| Directions for Use | 2 |
| Operation Method | 3-4 |
| Safety Reminder | 5 |
| Leakage Detection | 6 |
| Cleaning & Maintenance | 7-8 |
| Installation Process | 9 |

Please read these instructions completely before operating this unit

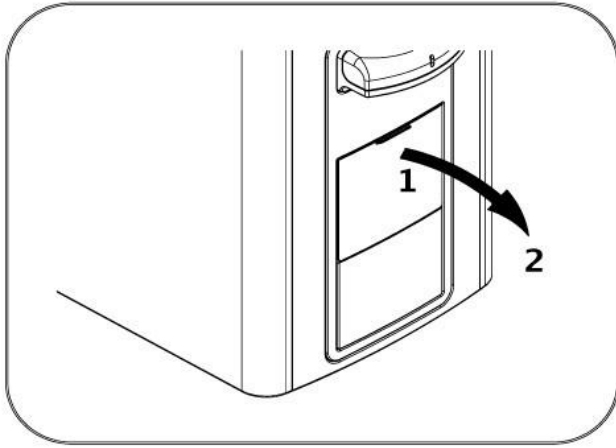
Preface / Parts

Before using this machine, we advise you to read this manual thoroughly .

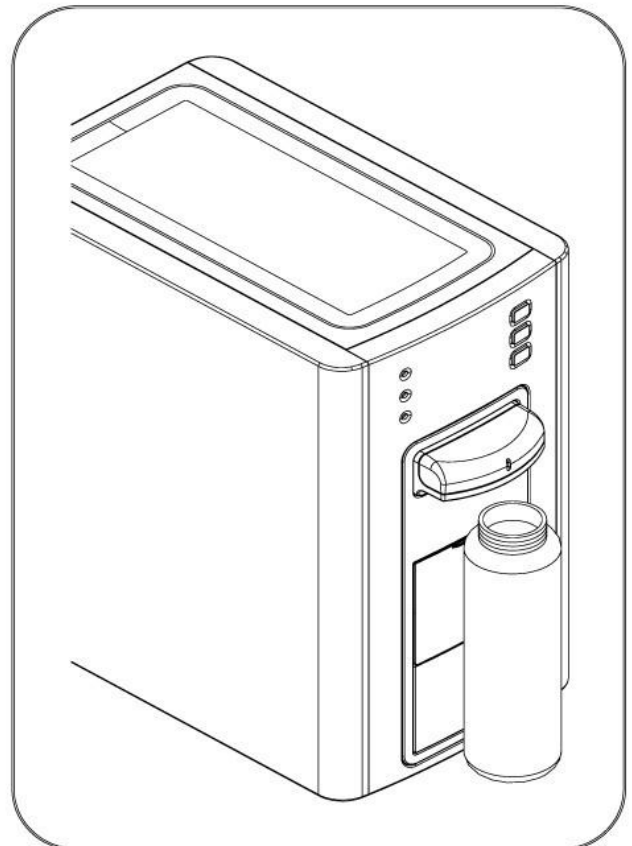
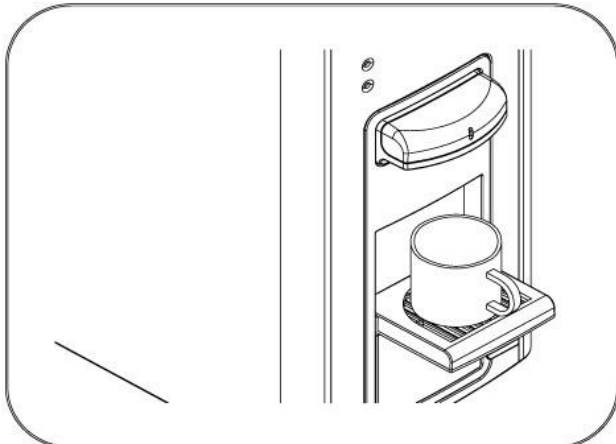
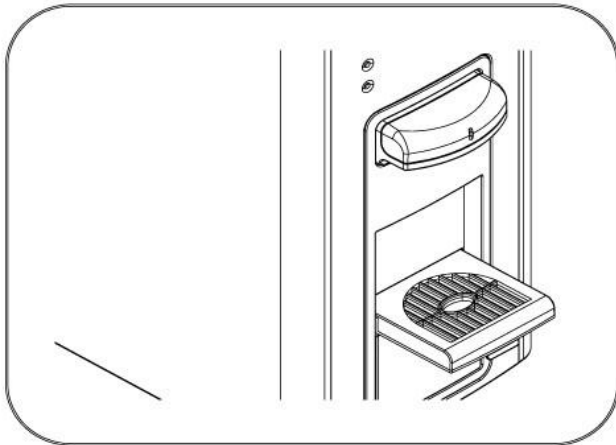
Please follow the instructions to ensure proper operation and the lasting of the machine.



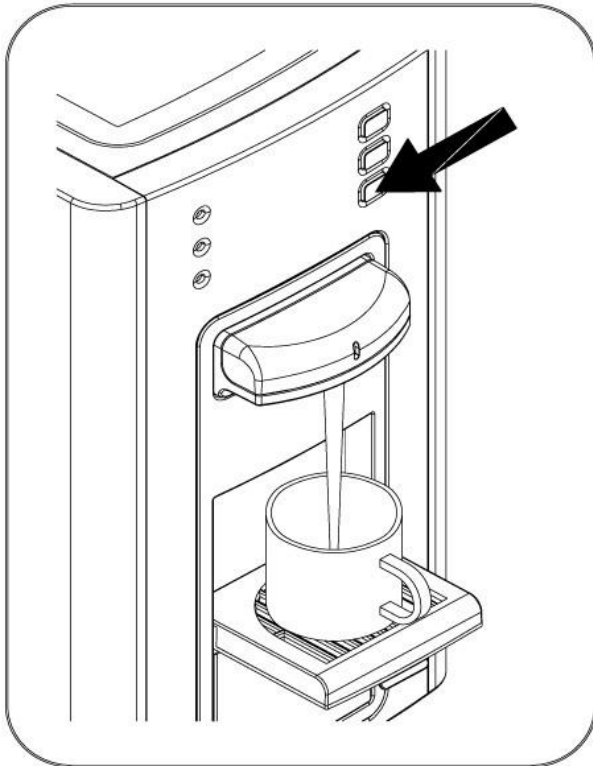
Directions for Use



This unit may provide water to containers of all sizes. When filling a small container or cup, please lift down the drip tray as directed by the arrow in first picture. If the container is taller or bigger in size, please place it directly below the faucet to fill water.

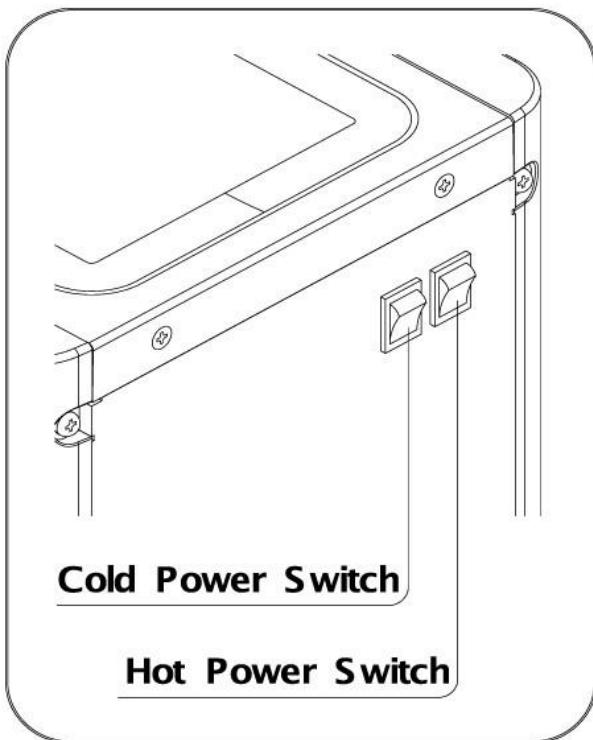


Operation Method



1. When piping is completed, the tanks will begin to fill with water. Now the machine may be connected to electricity. Try pressing the cold and hot water buttons and see if water comes out. It is important that the tanks must be filled with water before proceeding with the following procedures.

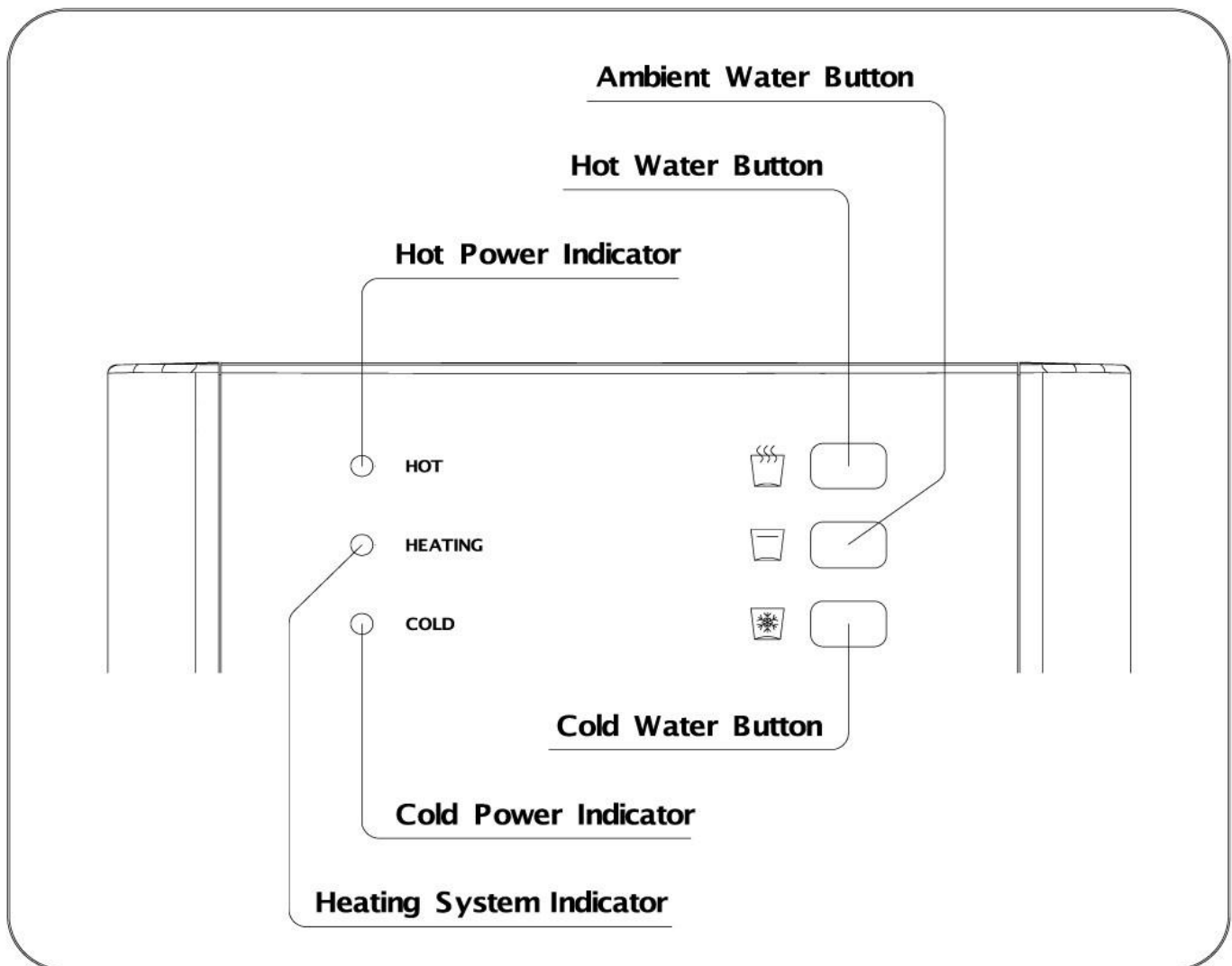
2. Turn on the cold power switch on the back and chilling starts. The chilling indicator on the control board will go on as chilling proceeds. When the indicator goes off, chilling is done. The temperature is set at 4 ~ 10°C.



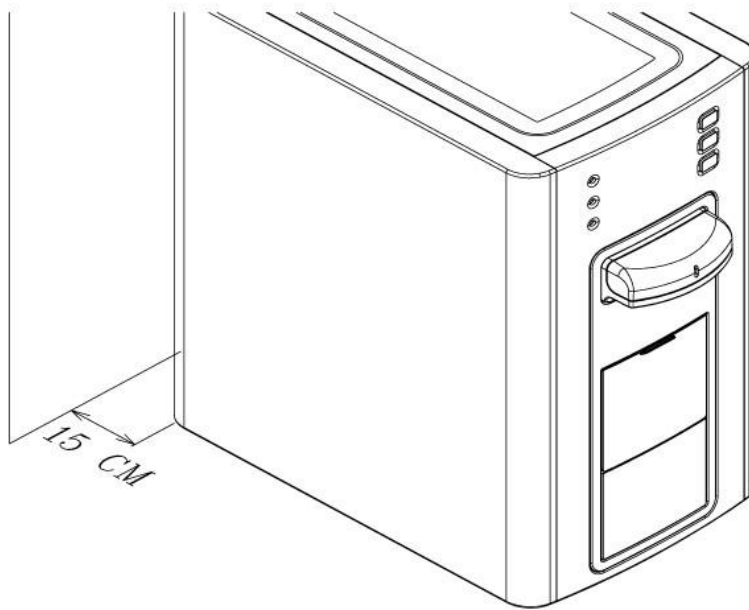
3. Turn on the hot power switch on the back and heating starts. The heating indicator goes on while heating proceeds. When the indicator is off, heating is done and hot water is ready to serve. Hot water will be re-heated automatically when the temperature is not high enough.

Operation Method

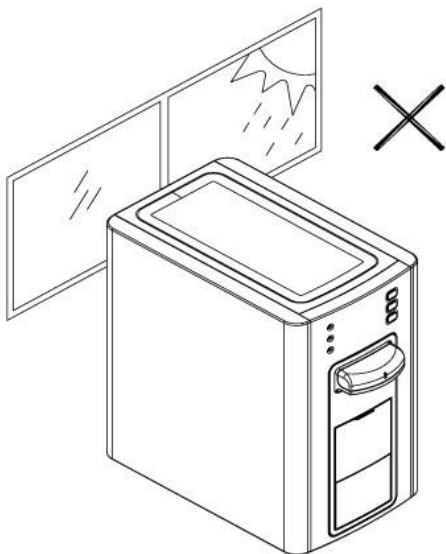
4. To drink cold or ambient water, please press the cold or ambient water button.
5. To have hot water, press the hot water button twice.
6. Water will stop providing when any of the three water buttons is pressed over 60 seconds. Please release the water button to reset. Press again for more water.



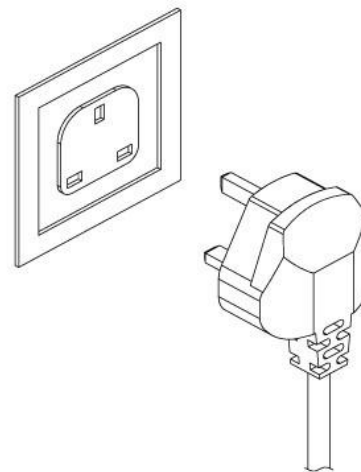
Safety Reminder



Leave a space no less than 15cm between the wall and dispenser.



Keep the machine away from sunlight, heat, and wetness.



Be sure to use single outlet socket with correct power voltage. Plug the power cord directly into electrical socket

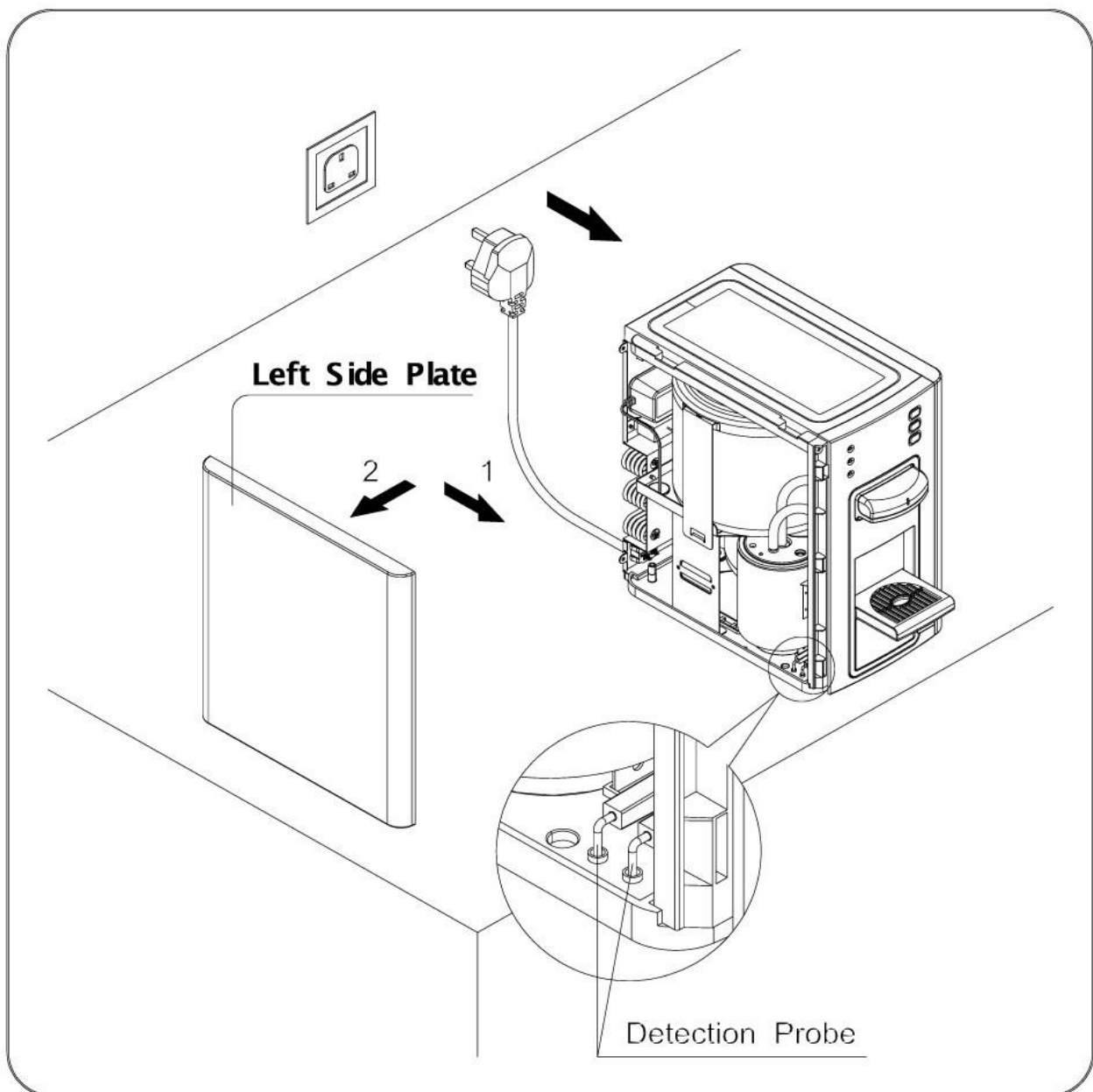
Leakage Detection

Leakage Detection:

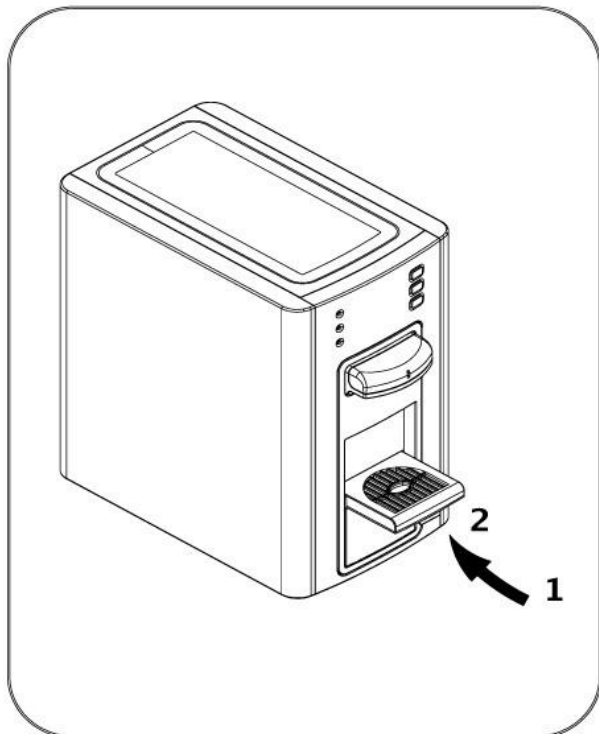
This machine is equipped with a leakage detection device.

When the Leak Detector is active:

1. LED light will flash and beep will sound.
2. Unplug the machine, remove the left side plate.
3. Wipe off the water from detection probe and machine with a dry cloth.
4. Contact the dealer or technician if leaking continues.

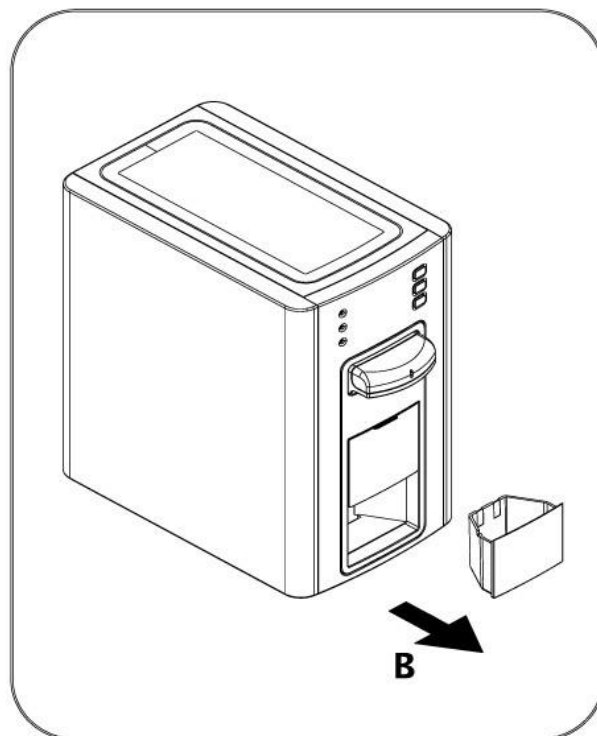
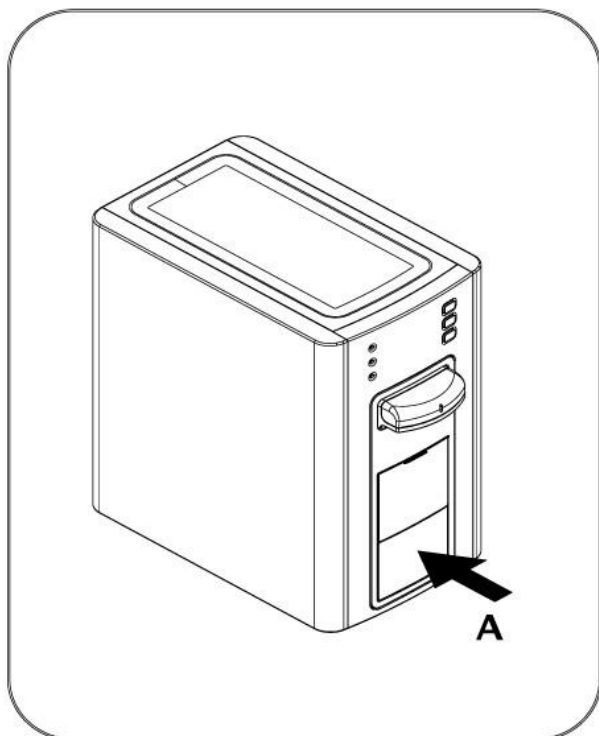


Cleaning & Maintenance

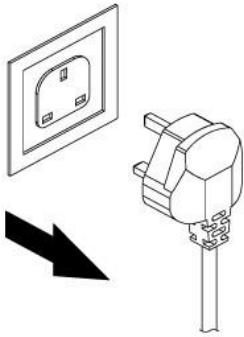


1. When drip collector is full, the machine will make long beeping sounds and LED light will flash. Please place the drip tray back and press the drip collector to let it to pop out (shown by arrow A). Take out the drip collector and empty the water inside (shown by arrow B). Place it back and the dispenser will provide water again.

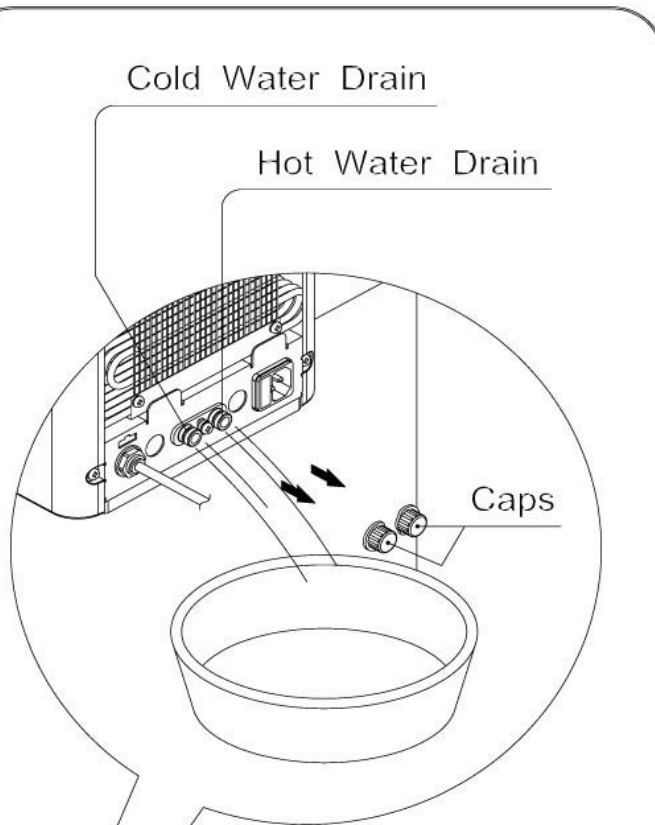
2. When the drip collector is full, water will not come out when pressing the water buttons.



Cleaning & Maintenance



1. Please make sure the machine is completely disconnected from electricity before cleaning.

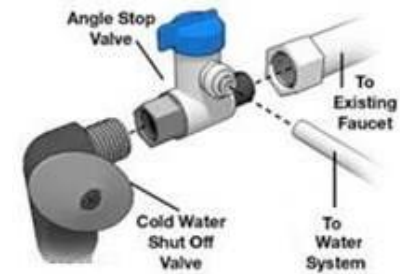


2. Remove the caps on top of the hot water and cold water drains. The remaining water in the tanks will drain out. Cleaning may start when both tanks are emptied. Please put the caps back when cleaning is done.

Caution: For your safety , please contact your distributor or qualified technician for repair when the water dispenser is damaged.

Installation Process

- 1) We start out by finding the nearest cold water source.
It's usually located under a sink.
- 2) We install an Angle Valve Adapter onto the cold water valve and the other end to the kitchen faucet line. The ¼" water cooler tube line will be connected to the Angle Valve Adapter by quick connect to the ¼" insert.
- 3) Then we run our poly tubing from the water source to the water cooler.
A small hole is cut in the back of the cabinet, and we "snake" our waterway inside the wall and to the ceiling. Once it's above the drop ceiling, it's easy to run it to your cooler location.
- 4) Once we get the waterway above the cooler, we snake it back down the wall and out a small hole that is covered with a cable plate.
- 5) Finally, we just plug in the cooler and turn on the water under the sink.





Mailing Address:
FilterWater.com
P.O.Box 968
Southampton, PA 18966
USA

<http://www.FilterWater.com>

Tel. (800) 439-0263

Fax (215) 354-0304

Email: Sales@filterwater.com