

H2O-PRO

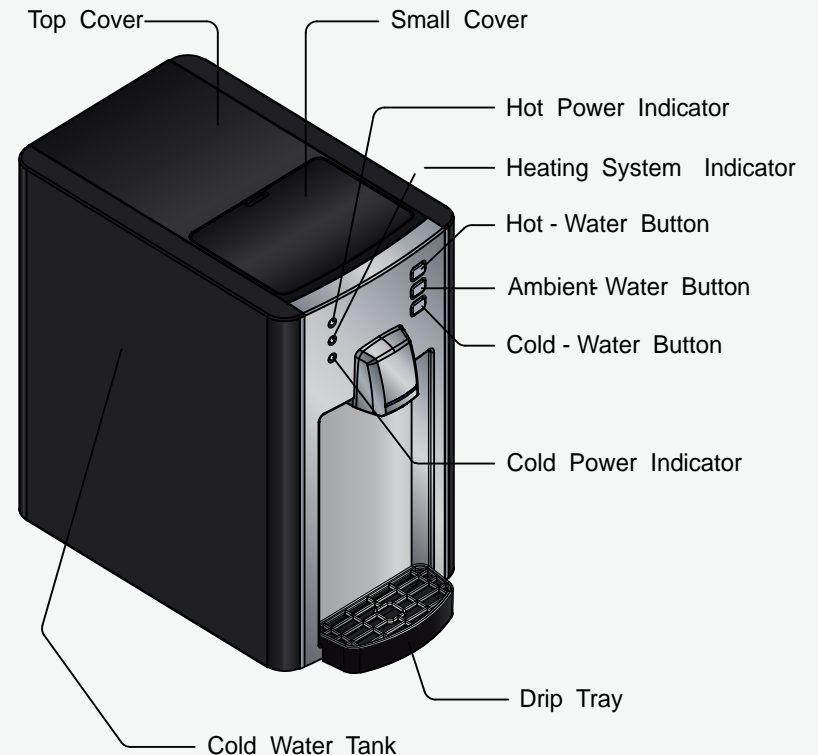
COLD, AMBIENT & HOT WATER DISPENSER

OPERATION MANUAL



Contents	Page
Preface	1
Installation & Set-Up	2
Replacing Filters & Safety Reminders	3
Leak Detection, Cleaning & Maintenance	4

PREFACE



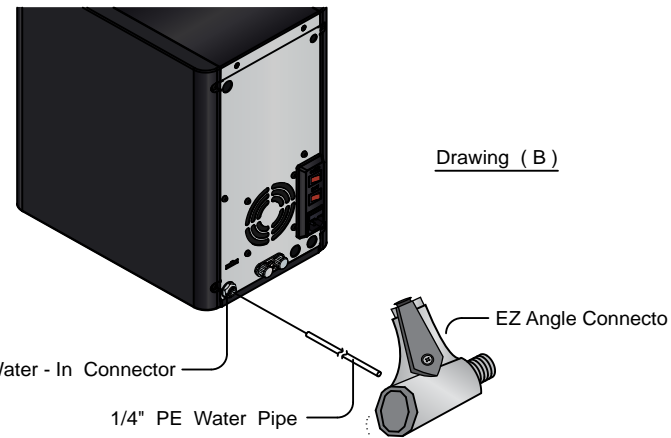
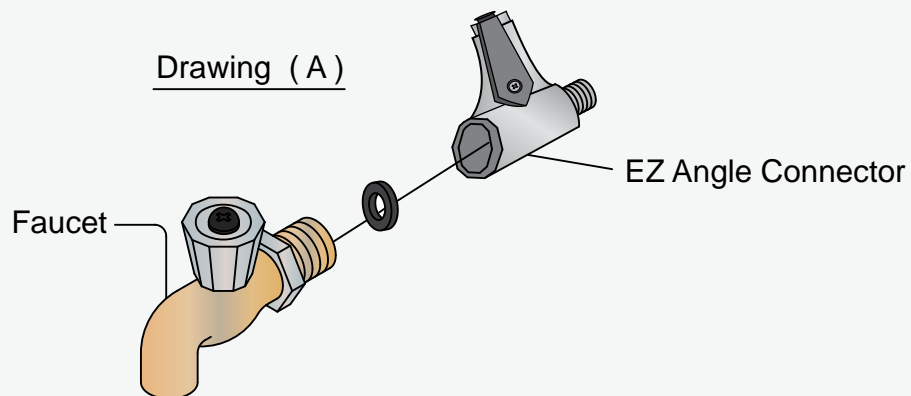
Please read the instructions completely before using this product.

Please read these instructions completely before operating this unit

Intended for water pressure between 25~60 psi.
If water pressure is more than 60 psi, please use a water pressure regulator.

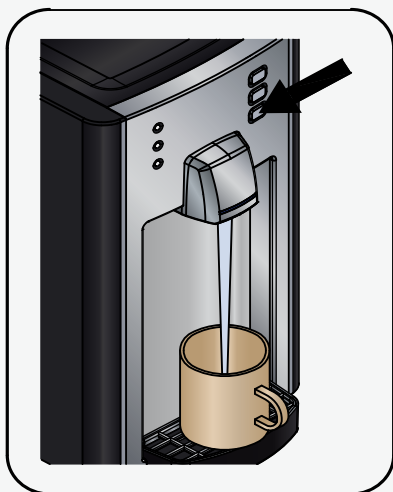
1. WATER LINE SET-UP

1- Take apart your water tap. Then put on the EZ Angle Connector valve. See drawing (A)



2- Connect the 1/4" PE water line between the EZ Angle Connector and the Water In Connector on the back of your H2O-PRO. See drawing (B).

2. WATER DISPENSER SET-UP



1- After water line is connected, please plug in the water cooler to an electrical outlet. Push any water button to begin filling the water tanks. Please wait at least 5 minutes, before pushing the hot water button, to check that water is dispensing. **DO NOT TURN ON HOT WATER POWER SWITCH UNTIL WATER IS DISPENSING FROM HOT WATER BUTTON.**

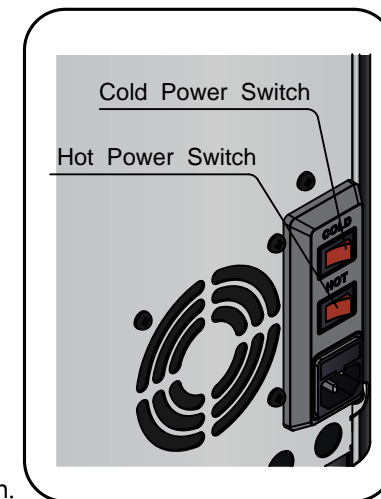
This part is very important to prevent dry-heating of the hot water tank.

As soon as heating process is done, you may push hot water button for hot water.

****Please push hot button twice before hot water can be drained. (The first press unlocks the safety. The second press dispenses hot water)**

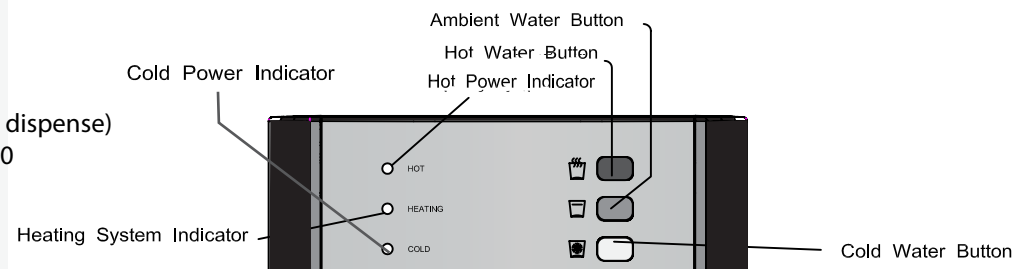
2- Turn on cold power switch. Cooling takes about 40 minutes. After cooling is complete, please push cold button for cold water.

As a safety measure, water dispensing stops after 1 minute. If you need more water, please press the water button again.



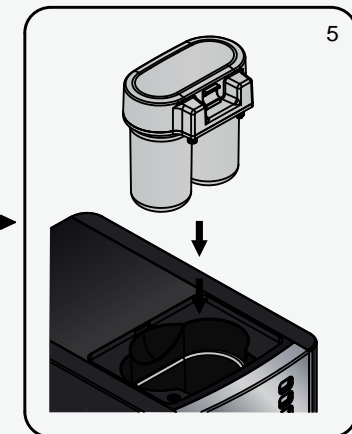
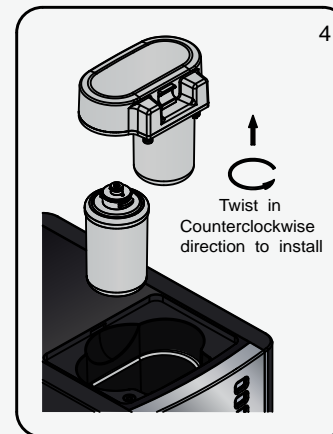
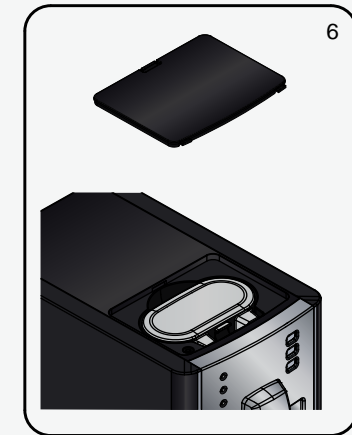
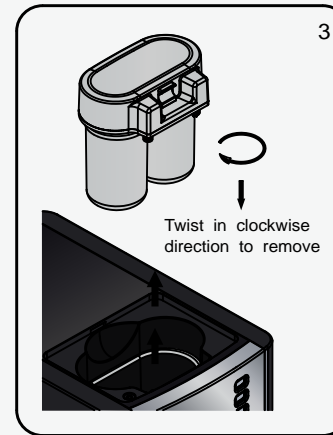
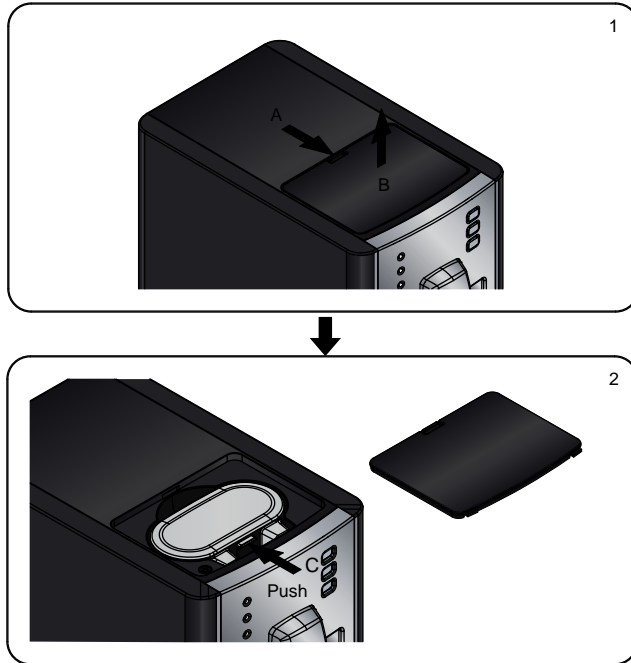
3. H2O-PRO OPERATION

3. To dispense cold or ambient water, please press the cold or ambient water button.
4. To dispense hot water, press the hot water button twice. (First to unlock, Second to dispense)
5. Water will stop dispensing when any of the three water buttons is pressed over 60 seconds. Please let go of the water button and press again for more water.

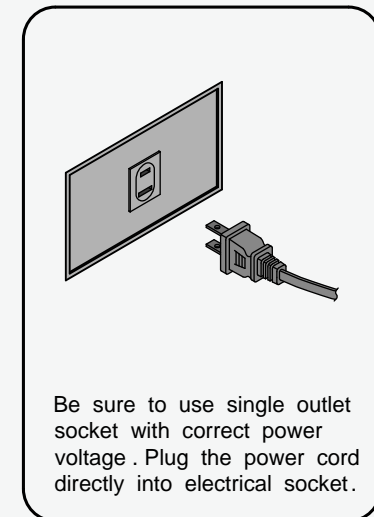
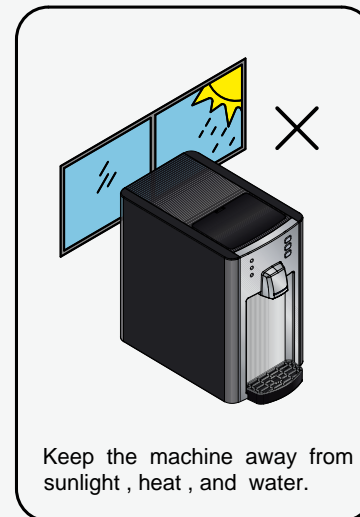
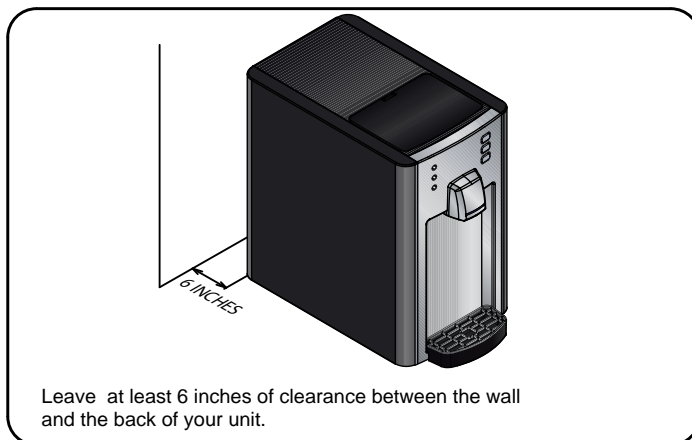


REPLACEMENT OF FILTERS

- Drawing 1, push the latch (A) to open the top lid (B).
- Drawing 2, push the latch (C) in the filter head to allow the filtration system pop off.
- Drawing 3, Remove the filter clockwise.
- Drawing 4, Install the filter anti-clockwise.
- Drawing 5, Replace the filtration system.
- Drawing 6, Replace the top lid.



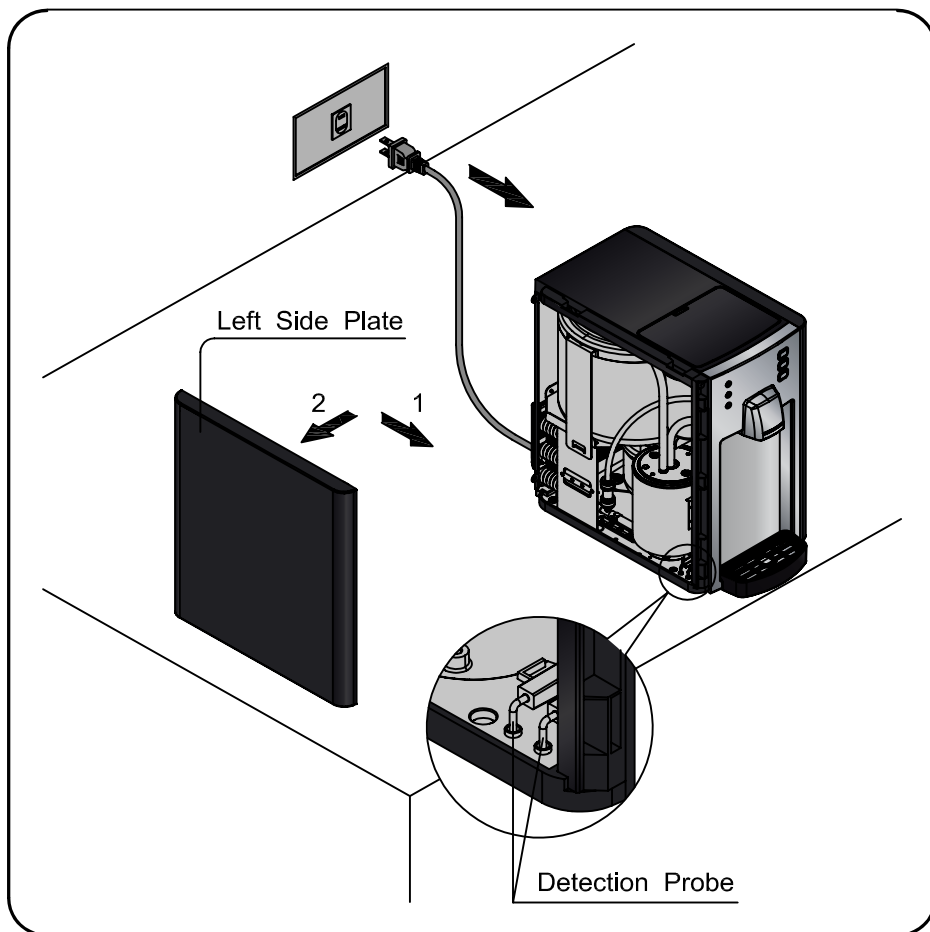
SAFETY REMINDER



LEAK DETECTION

When the leak detector is activated:

- LED light in the front tap will flash as alert.
- Disconnect the electricity.
- Remove the side panel, wipe off the water that remains in the detection probes and base panel.
- Put back the side panel and detection probe.
- If leaking continues, please contact us immediately



CLEANING AND MAINTENANCE

