

EQ-300 WHOLE HOUSE

The EQ-300 effectively reduces chlorine, bad taste, and odor in all the municipally treated water or water deemed safe by local public health authorities that enters your home. You can rest assured that your family is getting the highest quality drinking, bathing and cleaning water available today.

PRECAUTIONS

The EQ-300 must be installed by a licensed plumber to validate the 1-year warranty.

1. Read all precautions, installation, and operating instructions carefully and completely before installing the unit.
2. Do not install this filter where the line pressure may exceed 100 psi (6.9 bar). Operating pressure range 20 psi (1.4 bar) to 100 psi (6.9 bar).
3. Install on cold water lines only. Operating temperature range 40° - 100°F (4°-38°C). Protect unit from freezing.
4. Do not install the unit on its side or in direct sunlight.
5. Use Teflon tape, not pipe dope, for thread sealing.
6. Installation of the filter must comply with existing state or local plumbing codes.
7. Use only warm, soapy water to clean the outside of the housing. Rinse well with fresh, clean water. Never use chemical cleaning products on the filter's exterior surface because they may damage the filter housing.
8. This product is not intended for use with water that is microbiologically unsafe or of unknown quality without adequate disinfection before or after the unit.



COMPONENTS

- EQ-300 unit
- Sediment prefilter
- Certificate of warranty
- Installation kit
 - (2) 4-inch PVC nipples
 - (2) 2-inch PVC nipples
 - (1) shut-off valve
 - (1) bypass hose
 - (2) PVC unions
 - (1) prefilter housing
 - (1) garden hose adapter

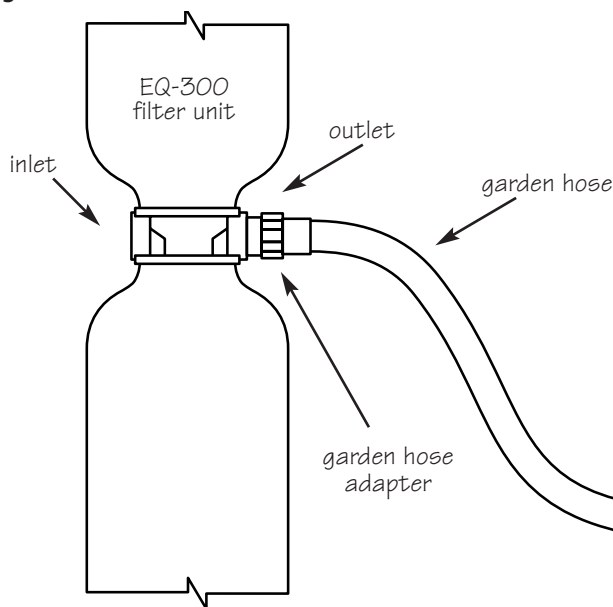
It is very important that this system be installed and flushed per these instructions. Properly installed, this product will provide years of trouble free service and high quality water.

SERVICE BACKFLUSHING

The system should be backflushed periodically over its service life if (1) the pressure drops significantly (causing a reduction in water flow) and (2) replacing the prefilter does not correct the problem. To perform a service backflush, follow these steps:

1. Turn off the water supply. Relieve pressure by turning on a nearby faucet and pressing the pressure release button on prefilter. Disconnect unit from pipes and 4" nipples. Connect the unit to your garden hose using the garden hose adapter (Figure 1) so that the water flows into the outlet port of the system.
2. Slowly turn the water back on. Flush unit into a drain or container to remove the sediment from the unit. The first few gallons may appear black, which is normal. Turn the water on and off several times to improve flushing effectiveness. Continue flushing for 15 minutes or longer, until the water runs clear.
3. Shut off water supply. Reconnect the unit (Figure 2) and turn the water supply back on.

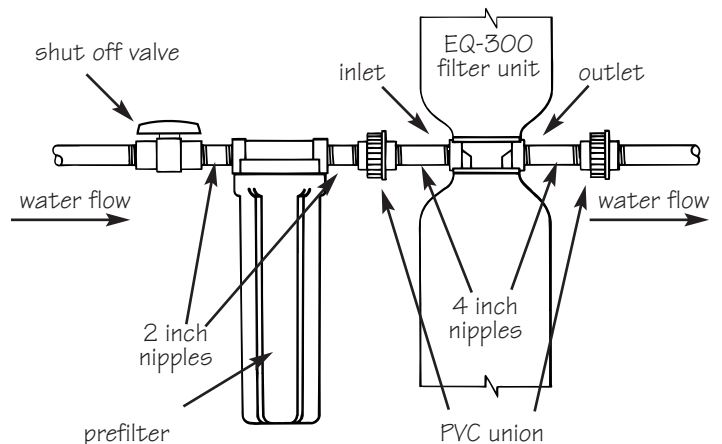
Figure 1



It is very important that this system be installed and flushed per these instructions. Properly installed, this product will provide years of trouble free service and high quality water.

INSTALLATION

Figure 2



THE EQ-300 MUST BE INSTALLED BY A LICENSED PLUMBER TO VALIDATE THE 1-YEAR WARRANTY.

1. KEEP THE UNIT IN AN UPRIGHT POSITION AT ALL TIMES.
2. Remove the red shipping caps from the inlet & outlet ports on the main housing. Be sure the white washers are properly set inside the ports.
3. **Precondition the unit by backflushing.** Connect unit to your garden hose using the garden hose adapter (Figure 1) so that the water flows in the outlet port and out of the inlet port of the system. Slowly turn the water on. Flush the unit into a drain or container to remove the carbon fines and trapped air from the unit. The first few gallons will appear black, which is normal. Turn the water on and off several times to improve flushing effectiveness. Continue flushing for 15 minutes or longer, until the water runs clear. Detach the hose from the outlet side and reattach the hose to the inlet side. Repeat flushing technique on the inlet side, then detach hose from unit and remove hose adapter. The bypass hose can be used to direct flushed water into a pail or floor drain. If water does not clear after the flushing period call your Aquasana representative.
4. Shut off the water supply. Assemble the EQ-300 prefilter housing and the shut off valve, make connection to the inlet side only (Figure 2), using the nipples and PVC unions provided. Use only TEFLON tape for thread sealing. CAUTION: Be careful not to overtighten any connections.
5. Complete the outlet connections (Figure 2). Slowly turn the water supply back on. If there are any leaks, shut off the water supply and retighten the connections.
6. Turn on a nearby faucet. Flush the unit for an additional 15 minutes to condition your unit.
7. Your **aquasana** water filtration system is now ready for use. Enjoy.



a q u a s a n a™

325 N. Beach St.
Fort Worth, Texas 76111